

PORCA HIDRÁULICA HMVE

A porca hidráulica é uma **ferramenta** que auxilia na montagem e desmontagem de rolamentos em buchas cônicas ou eixos.

Ela facilita o trabalho, permitindo montagem sem impactos, o que contribui para que o conjunto montado tenha sua vida útil prolongada. Utiliza bomba hidráulica manual para fazer o serviço pesado encurtando o tempo de montagem e desmontagem se comparado aos métodos tradicionais usando chave e martelo.

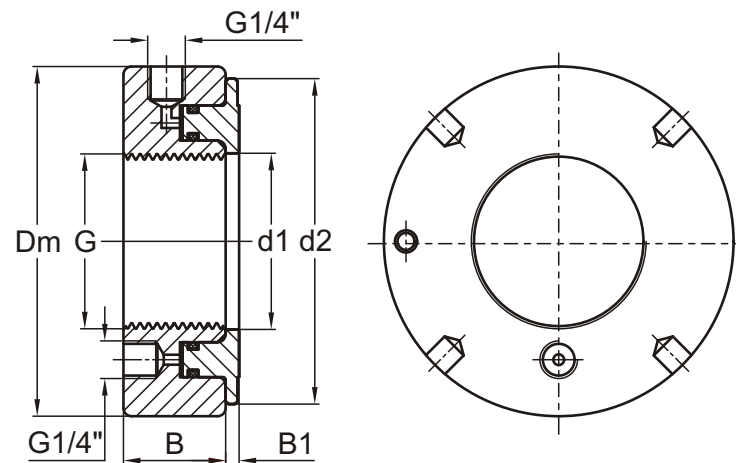
Material: Aço SAE 1045.

A Porca Hidráulica HMVE é composta por um corpo roscado (com alojamento para relógio comparador e parafuso nylon M6 para fixação), um êmbolo, um bujão e arruela, uma chave de pino reta, um jogo de reparo hidráulico e outro jogo sobressalente.

Obs.: Relógio Comparador e Niple de engate rápido ¼BSP não acompanham.

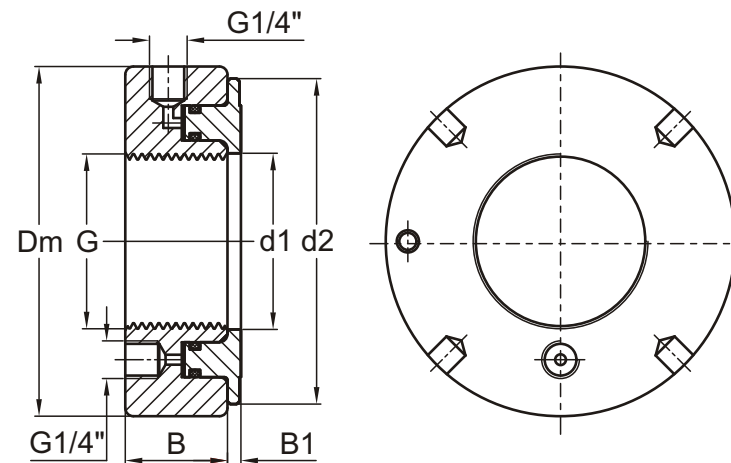


PORCA HIDRÁULICA HMVE, HMV ..E Rosca em mm



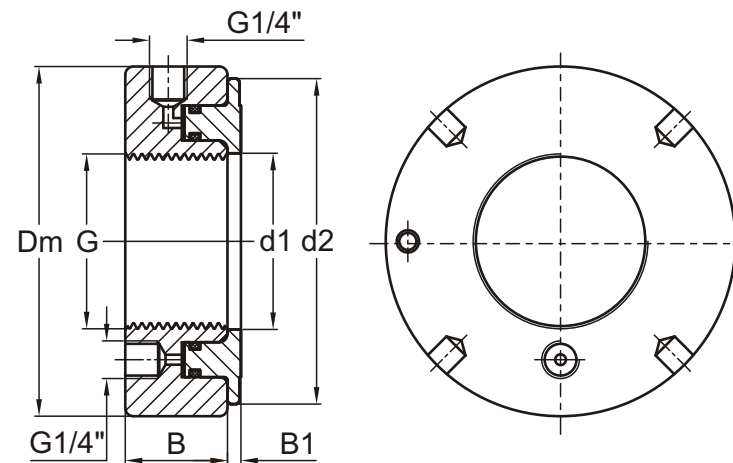
Código	G*	d1 mm	d2 mm	Dm mm	B mm	B1 mm	Deslocamento Axial Máximo	Rosca para Injeção de Óleo	Peso Kg	Oring	Chave de Pino Reta	Parafuso de Nylon	Bomba Hidráulica Recomendada	Capacidade de Reservatório
HMV 10E	M 50X1,5	50.5	104	114	38	4	5	G1/4"	2.54	ORING 10	CPR 10	PARAF M6x12N	100 MPa (14500 psi)	250 cm³
HMV 11E	M 55X2	55.5	109	120	38	4	5	G1/4"	2.76	ORING 11	CPR 10	PARAF M6x12N	100 MPa (14500 psi)	250 cm³
HMV 11x1.5E	M 55X1,5	55.5	109	120	38	4	5	G1/4"	2.86	ORING 11	CPR 10	PARAF M6x12N	100 MPa (14500 psi)	250 cm³
HMV 12E	M 60X2	60.5	115	125	38	5	5	G1/4"	2.99	ORING 12	CPR 10	PARAF M6x12N	100 MPa (14500 psi)	250 cm³
HMV 12x1.5E	M 60X1,5	60.5	115	125	38	5	5	G1/4"	3.14	ORING 12	CPR 10	PARAF M6x12N	100 MPa (14500 psi)	250 cm³
HMV 13E	M 65X2	65.5	121	130	38	5	5	G1/4"	3.16	ORING 13	CPR 10	PARAF M6x12N	100 MPa (14500 psi)	250 cm³
HMV 13x1.5E	M 65X1,5	65.5	121	130	38	5	5	G1/4"	3.30	ORING 13	CPR 10	PARAF M6x12N	100 MPa (14500 psi)	250 cm³
HMV 14E	M 70X2	70.5	127	135	38	5	5	G1/4"	3.33	ORING 14	CPR 10	PARAF M6x12N	100 MPa (14500 psi)	250 cm³
HMV 15E	M 75X2	75.5	132	140	38	5	5	G1/4"	3.49	ORING 15	CPR 10	PARAF M6x12N	100 MPa (14500 psi)	250 cm³
HMV 16E	M 80X2	80.5	137	146	38	5	5	G1/4"	3.72	ORING 16	CPR 10	PARAF M6x12N	100 MPa (14500 psi)	250 cm³
HMV 17E	M 85X2	85.5	142	150	38	5	5	G1/4"	3.82	ORING 17	CPR 10	PARAF M6x12N	100 MPa (14500 psi)	250 cm³
HMV 18E	M 90X2	90.5	147	156	38	5	5	G1/4"	4.05	ORING 18	CPR 10	PARAF M6x12N	100 MPa (14500 psi)	250 cm³
HMV 19E	M 95X2	95.5	153	162	38	5	5	G1/4"	4.30	ORING 19	CPR 10	PARAF M6x12N	100 MPa (14500 psi)	250 cm³
HMV 20E	M 100X2	100.5	158	166	38	6	5	G1/4"	4.49	ORING 20	CPR 12	PARAF M6x12N	100 MPa (14500 psi)	250 cm³
HMV 21E	M 105X2	105.5	163	172	38	6	5	G1/4"	4.73	ORING 21	CPR 12	PARAF M6x12N	100 MPa (14500 psi)	250 cm³
HMV 22E	M 110X2	110.5	169	178	38	6	5	G1/4"	5.00	ORING 22	CPR 12	PARAF M6x12N	100 MPa (14500 psi)	250 cm³
HMV 23E	M 115X2	115.5	174	182	38	6	5	G1/4"	5.09	ORING 23	CPR 12	PARAF M6x12N	100 MPa (14500 psi)	250 cm³
HMV 24E	M 120X2	120.5	179	188	38	6	5	G1/4"	5.35	ORING 24	CPR 12	PARAF M6x12N	100 MPa (14500 psi)	250 cm³
HMV 25E	M 125X2	125.5	184	192	38	6	5	G1/4"	5.44	ORING 25	CPR 12	PARAF M6x12N	100 MPa (14500 psi)	250 cm³
HMV 26E	M 130X2	130.5	190	198	38	6	5	G1/4"	5.71	ORING 26	CPR 12	PARAF M6x12N	100 MPa (14500 psi)	250 cm³
HMV 27E	M 135X2	135.5	195	204	38	6	5	G1/4"	5.97	ORING 27	CPR 12	PARAF M6x12N	100 MPa (14500 psi)	250 cm³
HMV 28E	M 140X2	140.5	200	208	38	7	5	G1/4"	6.18	ORING 28	CPR 12	PARAF M6x12N	100 MPa (14500 psi)	250 cm³
HMV 29E	M 145X2	145.5	206	214	39	7	5	G1/4"	6.77	ORING 29	CPR 12	PARAF M6x12N	100 MPa (14500 psi)	250 cm³
HMV 30E	M 150X2	150.5	211	220	39	7	5	G1/4"	7.07	ORING 30	CPR 12	PARAF M6x12N	100 MPa (14500 psi)	250 cm³
HMV 31E	M 155X3	155.5	218	226	39	7	5	G1/4"	7.47	ORING 31	CPR 12	PARAF M6x12N	100 MPa (14500 psi)	250 cm³
HMV 32E	M 160X3	160.5	224	232	40	7	6	G1/4"	7.97	ORING 32	CPR 12	PARAF M6x12N	100 MPa (14500 psi)	250 cm³
HMV 33E	M 165X3	165.5	229	238	40	7	6	G1/4"	8.29	ORING 33	CPR 12	PARAF M6x12N	100 MPa (14500 psi)	250 cm³
HMV 34E	M 170X3	170.5	235	244	41	7	6	G1/4"	8.82	ORING 34	CPR 12	PARAF M6x12N	100 MPa (14500 psi)	250 cm³
HMV 36E	M 180X3	180.5	247	256	41	7	6	G1/4"	9.54	ORING 36	CPR 12	PARAF M6x12N	100 MPa (14500 psi)	250 cm³
HMV 38E	M 190X3	191	259	270	42	8	7	G1/4"	10.95	ORING 38	CPR 12	PARAF M6x12N	100 MPa (14500 psi)	250 cm³
HMV 40E	M 200X3	201	271	282	43	8	8	G1/4"	12.00	ORING 40	CPR 14	PARAF M6x12N	100 MPa (14500 psi)	250 cm³
HMV 41E	TR 205X4	207	276	288	43	8	8	G1/4"	12.48	ORING 41	CPR 14	PARAF M6x12N	100 MPa (14500 psi)	250 cm³
HMV 42E	TR 210X4	212	282	294	43	8	9	G1/4"	13.18	ORING 42	CPR 14	PARAF M6x12N	100 MPa (14500 psi)	250 cm³
HMV 43E	TR 215X4	217	287	300	43	8	9	G1/4"	13.60	ORING 43	CPR 14	PARAF M6x12N	100 MPa (14500 psi)	250 cm³
HMV 44E	TR 220X4	222	293	306	43	8	9	G1/4"	14.06	ORING 44	CPR 14	PARAF M6x12N	100 MPa (14500 psi)	250 cm³
HMV 45E	TR 225X4	227	300	312	45	8	9	G1/4"	14.83	ORING 45	CPR 14	PARAF M6x12N	100 MPa (14500 psi)	250 cm³
HMV 46E	TR 230X4	232	305	318	45	8	9	G1/4"	15.28	ORING 46	CPR 14	PARAF M6x12N	100 MPa (14500 psi)	250 cm³
HMV 47E	TR 235X4	237	311	326	46	8	10	G1/4"	16.43	ORING 47	CPR 14	PARAF M6x12N	100 MPa (14500 psi)	250 cm³
HMV 48E	TR 240X4	242	316	330	46	9	10	G1/4"	16.79	ORING 48	CPR 14	PARAF M6x12N	100 MPa (14500 psi)	250 cm³
HMV 50E	TR 250X4	252	329	342	46	9	10	G1/4"	17.87	ORING 50	CPR 14	PARAF M6x12N	100 MPa (14500 psi)	250 cm³

PORCA HIDRÁULICA HMVE, HMV ..E Rosca em mm



Código	G*	d1 mm	d2 mm	Dm mm	B mm	B1 mm	Deslocamento Axial Máximo	Rosca para Injeção de Óleo	Peso Kg	Oring	Chave de Pino Reta	Parafuso de Nylon	Bomba Hidráulica Recomendada	Capacidade de Reservatório
HMV 52E	TR 260X4	262	341	356	47	9	11	G1/4"	19.69	ORING 52	CPR 14	PARAF M6x12N	100 MPa (14500 psi)	250 cm³
HMV 54E	TR 270X4	272	352	368	48	9	12	G1/4"	21.17	ORING 54	CPR 14	PARAF M6x12N	100 MPa (14500 psi)	250 cm³
HMV 56E	TR 280X4	282	363	380	49	9	12	G1/4"	22.71	ORING 56	CPR 14	PARAF M6x17N	100 MPa (14500 psi)	800 cm³
HMV 58E	TR 290X4	292	375	390	49	9	13	G1/4"	23.49	ORING 58	CPR 14	PARAF M6x17N	100 MPa (14500 psi)	800 cm³
HMV 60E	TR 300X4	302	386	404	50	10	14	G1/4"	26.41	ORING 60	CPR 16	PARAF M6x17N	100 MPa (14500 psi)	800 cm³
HMV 62E	TR 310X5	312	397	416	52	10	14	G1/4"	28.38	ORING 62	CPR 16	PARAF M6x17N	100 MPa (14500 psi)	800 cm³
HMV 64E	TR 320X5	322	409	428	53	10	14	G1/4"	30.29	ORING 64	CPR 16	PARAF M6x17N	100 MPa (14500 psi)	800 cm³
HMV 66E	TR 330X5	332	419	438	53	10	14	G1/4"	31.11	ORING 66	CPR 16	PARAF M6x17N	100 MPa (14500 psi)	800 cm³
HMV 68E	TR 340X5	342	430	450	54	10	14	G1/4"	33.09	ORING 68	CPR 16	PARAF M6x17N	100 MPa (14500 psi)	800 cm³
HMV 69E	TR 345X5	347	436	456	54	10	14	G1/4"	33.85	ORING 69	CPR 16	PARAF M6x17N	100 MPa (14500 psi)	800 cm³
HMV 70E	TR 350X5	352	442	464	56	10	14	G1/4"	36.37	ORING 70	CPR 16	PARAF M6x17N	100 MPa (14500 psi)	800 cm³
HMV 72E	TR 360X5	362	455	472	56	10	15	G1/4"	36.80	ORING 72	CPR 16	PARAF M6x17N	100 MPa (14500 psi)	800 cm³
HMV 73E	TR 365X5	367	460	482	56	11	15	G1/4"	39.92	ORING 73	CPR 18	PARAF M6x17N	100 MPa (14500 psi)	800 cm³
HMV 74E	TR 370X5	372	466	486	56	11	16	G1/4"	40.13	ORING 74	CPR 18	PARAF M6x17N	100 MPa (14500 psi)	800 cm³
HMV 76E	TR 380X5	382	476	498	58	11	16	G1/4"	41.90	ORING 76	CPR 18	PARAF M6x17N	100 MPa (14500 psi)	800 cm³
HMV 77E	TR 385X5	387	483	504	58	11	16	G1/4"	42.85	ORING 77	CPR 18	PARAF M6x17N	100 MPa (14500 psi)	800 cm³
HMV 80E	TR 400X5	402	499	522	60	11	17	G1/4"	47.35	ORING 80	CPR 18	PARAF M6x17N	100 MPa (14500 psi)	800 cm³
HMV 82E	TR 410X5	412	510	534	61	11	17	G1/4"	49.93	ORING 82	CPR 18	PARAF M6x20N	100 MPa (14500 psi)	800 cm³
HMV 84E	TR 420X5	422	522	546	61	11	17	G1/4"	51.93	ORING 84	CPR 18	PARAF M6x20N	100 MPa (14500 psi)	800 cm³
HMV 86E	TR 430X5	432	532	556	62	11	17	G1/4"	53.78	ORING 86	CPR 18	PARAF M6x20N	100 MPa (14500 psi)	800 cm³
HMV 88E	TR 440X5	442	543	566	62	12	17	G1/4"	55.55	ORING 88	CPR 18	PARAF M6x20N	100 MPa (14500 psi)	800 cm³
HMV 90E	TR 450X5	452	554	580	64	12	17	G1/4"	60.09	ORING 90	CPR 18	PARAF M6x20N	100 MPa (14500 psi)	800 cm³
HMV 92E	TR 460X5	462	565	590	64	12	17	G1/4"	61.35	ORING 92	CPR 18	PARAF M6x20N	100 MPa (14500 psi)	800 cm³
HMV 94E	TR 470X5	472	576	602	65	12	18	G1/4"	57.85	ORING 94	CPR 20	PARAF M6x20N	150 MPa (21750 psi)	2300 cm³
HMV 96E	TR 480X5	482	587	612	65	12	19	G1/4"	65.69	ORING 96	CPR 20	PARAF M6x20N	150 MPa (21750 psi)	2300 cm³
HMV 98E	TR 490X5	492	597	624	66	12	19	G1/4"	68.78	ORING 98	CPR 20	PARAF M6x20N	150 MPa (21750 psi)	2300 cm³
HMV 100E	TR 500X5	502	609	636	67	12	19	G1/4"	72.14	ORING 100	CPR 20	PARAF M6x20N	150 MPa (21750 psi)	2300 cm³
HMV 102E	TR 510X6	512	624	648	68	12	20	G1/4"	74.00	ORING 102	CPR 20	PARAF M6x20N	150 MPa (21750 psi)	2300 cm³
HMV 104E	TR 520X6	522	634	658	68	13	20	G1/4"	75.00	ORING 104	CPR 20	PARAF M6x20N	150 MPa (21750 psi)	2300 cm³
HMV 106E	TR 530X6	532	645	670	69	13	21	G1/4"	81.60	ORING 106	CPR 20	PARAF M6x20N	150 MPa (21750 psi)	2300 cm³
HMV 108E	TR 540X6	542	657	682	69	13	21	G1/4"	81.00	ORING 108	CPR 20	PARAF M6x20N	150 MPa (21750 psi)	2300 cm³
HMV 110E	TR 550X6	552	667	693	70	13	21	G1/4"	84.00	ORING 110	CPR 20	PARAF M6x20N	150 MPa (21750 psi)	2300 cm³
HMV 112E	TR 560X6	562	678	704	71	13	22	G1/4"	90.95	ORING 112	CPR 20	PARAF M6x20N	150 MPa (21750 psi)	2300 cm³
HMV 114E	TR 570X6	572	689	716	72	13	23	G1/4"	91.00	ORING 114	CPR 20	PARAF M6x20N	150 MPa (21750 psi)	2300 cm³
HMV 116E	TR 580X6	582	699	726	72	13	23	G1/4"	96.36	ORING 116	CPR 20	PARAF M6x22N	150 MPa (21750 psi)	2300 cm³
HMV 120E	TR 600X6	602	721	748	73	13	23	G1/4"	102.06	ORING 120	CPR 22	PARAF M6x22N	150 MPa (21750 psi)	2300 cm³
HMV 126E	TR 630X6	632	754	782	74	14	23	G1/4"	112.04	ORING 126	CPR 22	PARAF M6x22N	150 MPa (21750 psi)	2300 cm³
HMV 130E	TR 650X6	652	775	804	75	14	23	G1/4"	115.00	ORING 130	CPR 22	PARAF M6x22N	150 MPa (21750 psi)	2300 cm³
HMV 134E	TR 670X6	672	796	826	75	14	24	G1/4"	123.03	ORING 134	CPR 22	PARAF M6x22N	150 MPa (21750 psi)	2300 cm³
HMV 138E	TR 690X6	692	819	848	77	14	25	G1/4"	127.00	ORING 138	CPR 22	PARAF M6x22N	150 MPa (21750 psi)	2300 cm³

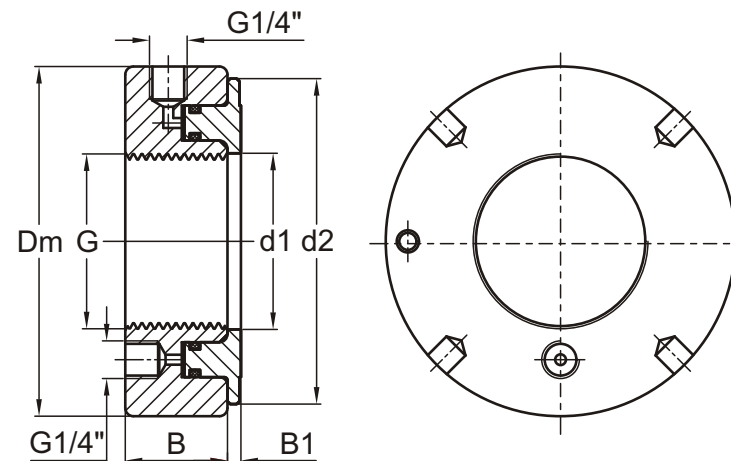
PORCA HIDRÁULICA HMVE, HMV ..E Rosca em mm



Código	G*	d1 mm	d2 mm	Dm mm	B mm	B1 mm	Deslocamento Axial Máximo	Rosca para Injeção de Óleo	Peso Kg	Oring	Chave de Pino Reta	Parafuso de Nylon	Bomba Hidráulica Recomendada	Capacidade de Reservatório
HMV 142E	TR 710X7	712	840	870	78	15	25	G1/4"	135.00	ORING 142	CPR 22	PARAF M6x22N	150 MPa (21750 psi)	2300 cm ³
HMV 150E	TR 750X7	752	883	912	79	15	25	G1/4"	150.79	ORING 150	CPR 22	PARAF M6x22N	150 MPa (21750 psi)	2300 cm ³
HMV 160E	TR 800X7	802	936	965	80	16	25	G1/4"	166.34	ORING 160	CPR 22	PARAF M6x22N	150 MPa (21750 psi)	2300 cm ³
HMV 170E	TR 850X7	852	990	1020	83	16	26	G1/4"	181.00	ORING 170	CPR 24	PARAF M6x22N	150 MPa (21750 psi)	2300 cm ³
HMV 180E	TR 900X7	902	1043	1075	86	17	30	G1/4"	205.00	ORING 180	CPR 24	PARAF M6x22N	150 MPa (21750 psi)	2300 cm ³
HMV 190E	TR 950X8	952	1097	1126	86	17	30	G1/4"	218.00	ORING 190	CPR 24	PARAF M6x22N	150 MPa (21750 psi)	2300 cm ³
HMV 200E	TR 1000X8	1002	1150	1180	88	17	34	G1/4"	239.00	ORING 200	CPR 24	PARAF M6x22N	150 MPa (21750 psi)	2300 cm ³
HMV 212E	TR 1060X8							G1/4"						
HMV 224E	TR 1120X8							G1/4"						
HMV 236E	TR 1180X8							G1/4"						

* Exemplo do código da rosca: TR 300X4 TR:rosca métrica trapecoidal, 300: diâmetro da rosca, 4: passo da rosca

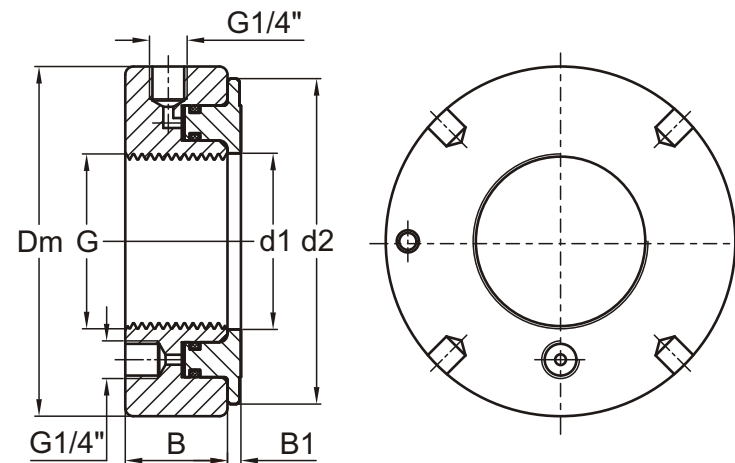
PORCA HIDRÁULICA HMVCE, HMVC ..E Rosca em polegada



Código	G*	d1 mm	d2 mm	Dm mm	B mm	B1 mm	Deslocamento Axial Máximo	Rosca para Injeção de Óleo	Peso Kg	Oring	Chave de Pino Reta	Parafuso de Nylon	Bomba Hidráulica Recomendada	Capacidade de Reservatório
HMVC 10E	1.967"X18F	50.5	104	114	37	4	5	G1/4"	2.54	ORING 10	CPR 10	PARAF M6x12N	100 MPa (14500 psi)	250 cm³
HMVC 11E	2.157"X18F	55.5	109	120	37	4	5	G1/4"	2.75	ORING 11	CPR 10	PARAF M6x12N	100 MPa (14500 psi)	250 cm³
HMVC 12E	2.360"X18F	60.5	115	125	37	5	5	G1/4"	2.99	ORING 12	CPR 10	PARAF M6x12N	100 MPa (14500 psi)	250 cm³
HMVC 13E	2.548"X18F	65.5	121	130	37	5	5	G1/4"	3.16	ORING 13	CPR 10	PARAF M6x12N	100 MPa (14500 psi)	250 cm³
HMVC 14E	2.751"X18F	70.5	127	135	37	5	5	G1/4"	3.33	ORING 14	CPR 10	PARAF M6x12N	100 MPa (14500 psi)	250 cm³
HMVC 15E	2.933"X12F	75.5	132	140	37	5	5	G1/4"	3.49	ORING 15	CPR 10	PARAF M6x12N	100 MPa (14500 psi)	250 cm³
HMVC 16E	3.137"X12F	80.5	137	146	37	5	5	G1/4"	3.72	ORING 16	CPR 10	PARAF M6x12N	100 MPa (14500 psi)	250 cm³
HMVC 17E	3.340"X12F	85.5	142	150	37	5	5	G1/4"	3.82	ORING 17	CPR 10	PARAF M6x12N	100 MPa (14500 psi)	250 cm³
HMVC 18E	3.527"X12F	90.5	147	156	37	5	5	G1/4"	4.00	ORING 18	CPR 10	PARAF M6x12N	100 MPa (14500 psi)	250 cm³
HMVC 19E	3.730"X12F	95.5	153	162	37	5	5	G1/4"	4.30	ORING 19	CPR 10	PARAF M6x12N	100 MPa (14500 psi)	250 cm³
HMVC 20E	3.918"X12F	100.5	158	166	37	6	5	G1/4"	4.40	ORING 20	CPR 12	PARAF M6x12N	100 MPa (14500 psi)	250 cm³
HMVC 21E	4.122"X12F	105.5	163	172	37	6	5	G1/4"	4.73	ORING 21	CPR 12	PARAF M6x12N	100 MPa (14500 psi)	250 cm³
HMVC 22E	4.325"X12F	110.5	169	178	37	6	5	G1/4"	5.00	ORING 22	CPR 12	PARAF M6x12N	100 MPa (14500 psi)	250 cm³
HMVC 24E	4.716"X12F	120.5	179	188	37	6	5	G1/4"	5.35	ORING 24	CPR 12	PARAF M6x12N	100 MPa (14500 psi)	250 cm³
HMVC 26E	5.106"X12F	130.5	190	198	37	6	5	G1/4"	5.71	ORING 26	CPR 12	PARAF M6x12N	100 MPa (14500 psi)	250 cm³
HMVC 28E	5.497"X12F	140.5	200	208	37	7	5	G1/4"	6.18	ORING 28	CPR 12	PARAF M6x12N	100 MPa (14500 psi)	250 cm³
HMVC 30E	5.888"X12F	150.5	211	220	39	7	5	G1/4"	7.17	ORING 30	CPR 12	PARAF M6x12N	100 MPa (14500 psi)	250 cm³
HMVC 32E	6.284"X8F	160.5	224	232	40	7	6	G1/4"	7.97	ORING 32	CPR 12	PARAF M6x12N	100 MPa (14500 psi)	250 cm³
HMVC 34E	6.659"X8F	170.5	235	244	41	7	6	G1/4"	8.80	ORING 34	CPR 12	PARAF M6x12N	100 MPa (14500 psi)	250 cm³
HMVC 36E	7.066"X8F	180.5	247	256	41	7	6	G1/4"	9.40	ORING 36	CPR 12	PARAF M6x12N	100 MPa (14500 psi)	250 cm³
HMVC 38E	7.472"X8F	191.0	259	270	42	8	7	G1/4"	10.95	ORING 38	CPR 12	PARAF M6x12N	100 MPa (14500 psi)	250 cm³
HMVC 40E	7.847"X8F	201.0	271	282	43	8	8	G1/4"	12.00	ORING 40	CPR 14	PARAF M6x12N	100 MPa (14500 psi)	250 cm³
HMVC 44E	8.628"X8F	222.0	293	306	43	8	9	G1/4"	14.06	ORING 44	CPR 14	PARAF M6x12N	100 MPa (14500 psi)	250 cm³
HMVC 48E	9.442"X6F	242.0	316	330	46	9	10	G1/4"	16.79	ORING 48	CPR 14	PARAF M6x12N	100 MPa (14500 psi)	250 cm³
HMVC 52E	10.192"X6F	262.0	341	356	47	9	11	G1/4"	19.80	ORING 52	CPR 14	PARAF M6x12N	100 MPa (14500 psi)	250 cm³
HMVC 56E	11.004"X6F	282.0	363	380	49	9	12	G1/4"	22.00	ORING 56	CPR 14	PARAF M6x17N	100 MPa (14500 psi)	800 cm³
HMVC 60E	11.785"X6F	302.0	386	404	50	10	14	G1/4"	26.20	ORING 60	CPR 16	PARAF M6x17N	100 MPa (14500 psi)	800 cm³
HMVC 64E	12.562"X6F	322.0	409	428	53	10	14	G1/4"	30.29	ORING 64	CPR 16	PARAF M6x17N	100 MPa (14500 psi)	800 cm³
HMVC 68E	13.339"X5F	342.0	430	450	54	10	14	G1/4"	33.09	ORING 68	CPR 16	PARAF M6x17N	100 MPa (14500 psi)	800 cm³
HMVC 72E	14.170"X5F	362.0	455	472	56	10	15	G1/4"	36.80	ORING 72	CPR 16	PARAF M6x17N	100 MPa (14500 psi)	800 cm³
HMVC 76E	14.957"X5F	382.0	476	498	58	11	16	G1/4"	41.90	ORING 76	CPR 18	PARAF M6x17N	100 MPa (14500 psi)	800 cm³
HMVC 80E	15.745"X5F	402.0	499	522	60	11	17	G1/4"	47.35	ORING 80	CPR 18	PARAF M6x17N	100 MPa (14500 psi)	800 cm³
HMVC 84E	16.532"X5F	422.0	522	546	61	11	17	G1/4"	51.93	ORING 84	CPR 18	PARAF M6x20N	100 MPa (14500 psi)	800 cm³
HMVC 88E	17.319"X5F	442.0	543	566	62	12	17	G1/4"	55.55	ORING 88	CPR 18	PARAF M6x20N	100 MPa (14500 psi)	800 cm³
HMVC 92E	18.107"X5F	462.0	565	590	64	12	17	G1/4"	61.35	ORING 92	CPR 18	PARAF M6x20N	100 MPa (14500 psi)	800 cm³
HMVC 96E	18.894"X5F	482.0	587	612	65	12	19	G1/4"	65.69	ORING 96	CPR 20	PARAF M6x20N	150 MPa (21750 psi)	2300 cm³
HMVC 100E	19.682"X5F	502.0	609	636	67	12	19	G1/4"	72.14	ORING 100	CPR 20	PARAF M6x20N	150 MPa (21750 psi)	2300 cm³
HMVC 106E	20.867"X4F	532.0	645	670	69	13	21	G1/4"	81.60	ORING 106	CPR 20	PARAF M6x20N	150 MPa (21750 psi)	2300 cm³
HMVC 112E	22.048"X4F	562.0	678	704	71	13	22	G1/4"	90.95	ORING 112	CPR 20	PARAF M6x20N	150 MPa (21750 psi)	2300 cm³
HMVC 120E	23.623"X4F	602.0	721	748	73	13	23	G1/4"	102.06	ORING 120	CPR 22	PARAF M6x22N	150 MPa (21750 psi)	2300 cm³

* Exemplo do código da rosca: 1.967" X 18 F 1,967":diâmetro da rosca em polegada decimal, 18 F: passo da rosca em fios por polegada

PORCA HIDRÁULICA HMVCE, HMVC ..E Rosca em polegada



Código	G*	d1 mm	d2 mm	Dm mm	B mm	B1 mm	Deslocamento Axial Máximo	Rosca para Injeção de Óleo	Peso Kg	Oring	Chave de Pino Reta	Parafuso de Nylon	Bomba Hidráulica Recomendada	Capacidade de Reservatório
HMVC 126E	24.804"X4F	632.0	754	782	74	14	23	G1/4"	112.04	ORING 126	CPR 22	PARAF M6x22N	150 MPa (21750 psi)	2300 cm ³
HMVC 134E	26.379"X4F	672.0	796	826	75	14	24	G1/4"	123.03	ORING 134	CPR 22	PARAF M6x22N	150 MPa (21750 psi)	2300 cm ³
HMVC 142E	27.961"X3F	712.0	840	870	78	15	25	G1/4"	135.00	ORING 142	CPR 22	PARAF M6x22N	150 MPa (21750 psi)	2300 cm ³
HMVC 150E	29.536"X3F	752.0	883	912	79	15	25	G1/4"	150.79	ORING 150	CPR 22	PARAF M6x22N	150 MPa (21750 psi)	2300 cm ³
HMVC 160E	31.504"X3F	802.0	936	965	80	16	25	G1/4"	166.34	ORING 160	CPR 22	PARAF M6x22N	150 MPa (21750 psi)	2300 cm ³
HMVC 170E	33.473"X3F	852.0	990	1020	83	16	26	G1/4"	181.00	ORING 170	CPR 24	PARAF M6x22N	150 MPa (21750 psi)	2300 cm ³
HMVC 180E	35.441"X3F	902.0	1043	1075	86	17	30	G1/4"	205.00	ORING 180	CPR 24	PARAF M6x22N	150 MPa (21750 psi)	2300 cm ³
HMVC 190E	37.410"X3F	952.0	1097	1126	86	17	30	G1/4"	218.00	ORING 190	CPR 24	PARAF M6x22N	150 MPa (21750 psi)	2300 cm ³

* Exemplo do código da rosca: 1,967" X 18 F 1,967":diâmetro da rosca em polegada decimal, 18 F: passo da rosca em fios por polegada